

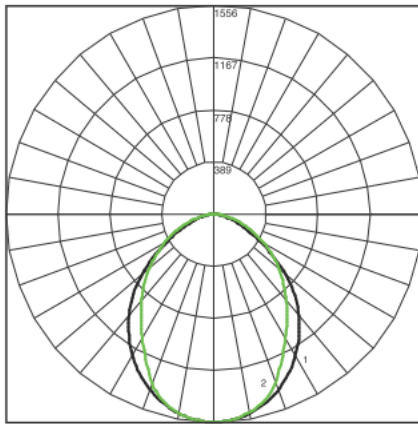
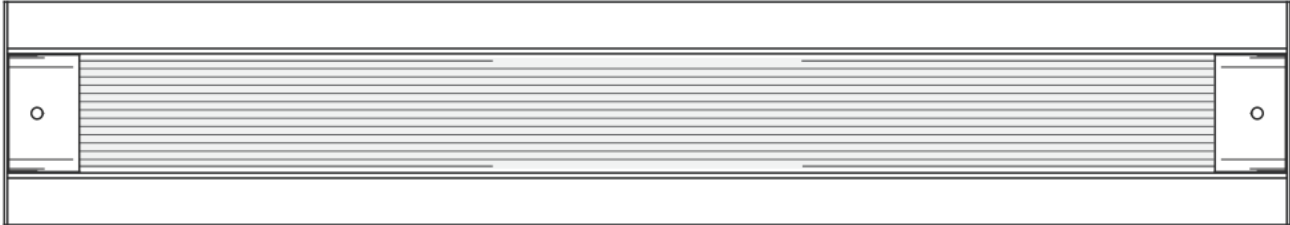
SV1.0.ECO | CORNICE



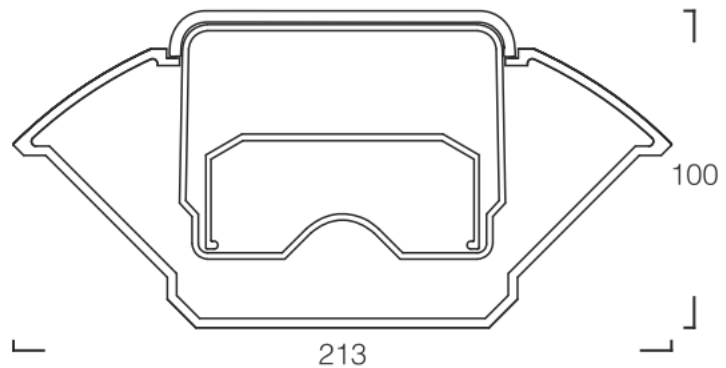
PROJECT:

REFERENCE:

DATE:



1 - Vertical Plane Through Horizontal Angles (0 - 180)
2 - Vertical Plane Through Horizontal Angles (90 - 270)



APPLICATIONS

Highly robust yet economical corner mounted luminaire. Ideally suited for arduous environments including, transportation, public access, carpark, urban applications and areas prone to vandalism.

LUMINAIRE CONSTRUCTION

IK10 impact resistance - 2mm polycarbonate diffuser module, extruded aluminium body and aluminium end caps

IP66 ingress protection - diffuser module hermetically sealed using 3mm silicone gaskets

AT06 tamper resistance - stainless steel security fasteners

MOUNTING

Surface mounted in corner - installation possible in horizontal or vertical burning position. Allowing the luminaire to be mounted horizontally between wall and ceiling, or vertically between two walls.

LIGHT SOURCE

Zhaga compliant Tridonic LED boards. Offering optimal light output with low power consumption.

Colour Temperature 3000K or 4000K

Colour Rendering Index (CRI) >80

Colour Tolerance MacAdam 3

LED Lifetime L70F50 >60,000 hrs

LED DRIVER

LED power supply unit 220-240 V AC 50-60 Hz

Driver Options Fixed Output, DALI, DSI, DMX, switchDIM, corridorFUNCTION, ready2mains, 1-10V dim

EMERGENCY OPTIONS (AS2293)

Standard - maintained, non-maintained or sustained

Auto/ self-test - maintained, non-maintained or sustained

DALI monitored - maintained, non-maintained or sustained

FINISHES

Standard finishes textured black or pearl white polyester powdercoat. Applied using a Seven Stage Chromate pre treatment which prevents corrosion and provides a durable finish.

Optional finishes additional colours and finishes, including anodising, available on request.

Extended powdercoat warranty 10, 20 or 30 year Dulux powdercoat warranty available on request.

LENGTHS

700, 1000, 1200, 1500 mm or continuous plug 'n' play systems

CONNECTION

Optional pre-wired IP68 quick connect plug and socket

- 3 pins + earth

- 6 pins + earth

CERTIFICATIONS

IK10, IP66, LM79, LM80, TM21, RCM

ADDITIONAL OPTIONS

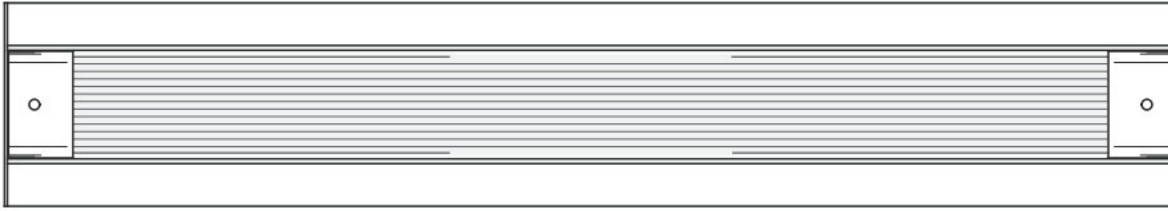
Separately switched red, green, blue or white LED night light

RGB/ RGBW - DMX or DALI controllable

Microwave sensor

Continuous, pre-wired, plug 'n' play system

SV1.0.ECO | CORNICE



	Drive Current: 200mA		300mA		400mA		500mA		DIMENSIONS
	LUMENS	POWER (W)	LUMENS	POWER (W)	LUMENS	POWER (W)	LUMENS	POWER (W)	
SV1.0.ECO[C]I0700ILOLEDI84	401	4.8	586	7.3	758	9.9	917	12.7	A = 681 mm
SV1.0.ECO[C]I0700IHOILEDI84	787	9.7	1171	14.6	1517	20.0	1829	25.5	
SV1.0.ECO[C]I0700IUHOILEDI84	1229	14.1	1747	22.0	2266	29.9	2712	38.0	
SV1.0.ECO[C]I1000ILOLEDI84	598	7.1	878	11.0	1138	14.9	1373	19.1	A = 961mm
SV1.0.ECO[C]I1000IHOILEDI84	1188	14.5	1757	21.9	2275	29.9	2746	38.2	
SV1.0.ECO[C]I1000IUHOILEDI84	1843	21.3	2621	33.0	3398	44.8	4066	57.0	
SV1.0.ECO[C]I1200ILOLEDI84	802	9.5	1171	14.7	1517	19.9	1834	25.5	A = 1241mm
SV1.0.ECO[C]I1200IHOILEDI84	1574	19.4	2342	29.2	3034	40.0	3658	51.0	
SV1.0.ECO[C]I1200IUHOILEDI84	2458	28.3	3494	44.1	4531	59.8	5424	76.0	
SV1.0.ECO[C]I1500ILOLEDI84	998	11.9	1464	18.4	1896	24.8	2290	31.9	A = 1521mm
SV1.0.ECO[C]I1500IHOILEDI84	1975	24.2	2928	36.5	3792	49.9	4574	63.7	
SV1.0.ECO[C]I1500IUHOILEDI84	3072	35.4	4368	55.1	5664	74.7	6778	95.0	

ITEM CODE

SV1.0.ECOI[C]	Length	LED Output	LED Colour	Luminaire Colour	LED Driver	Drive Current	Add-Ons
	0700 = 700mm 1000 = 1000mm 1200 = 1200mm 1500 = 1500mm	LO LED = Low Output HO LED = High Output UHO LED = Ultra High Output	83 = 830 84 = 840	B B C = Black W W C = White	F = Fixed Output D = DALI Dim	200 = 200mA 300 = 300mA 400 = 400mA 500 = 500mA	plug and socket IPP4P = 3P+E IP68 Plug and Socket IPP7P = 6P+E IP68 Plug and Socket emergency pack EM = Standard Emergency EMST = Self-Test Emergency EMD = DALI Emergency night light NLW = Night Light White NLR = Night Light Red NLG = Night Light Green NLB = Night Light Blue microwave sensor MWS = Microwave Sensor

Examples:

SV1.0.ECO | [C] | 0700 | HO | LED | 84 | B | B | C | F | 300
 SV1.0.ECO | [C] | 1200 | LO | LED | 83 | W | W | C | D | 400 | MWS
 SV1.0.ECO | [C] | 1500 | UHO | LED | 84 | W | W | C | D | 200 | NLB
 SV1.0.ECO | [C] | 1000 | LO | LED | 83 | B | B | C | F | 500 | EM | NLR

NOTES:

- Photometric data for indicative purposes only, and not be used in place of full ies file
- Photometric data based on:
 - 4000k Tridonic LED boards and drivers
 - Tolerance range +/- 10%
- All data subject to change without notice, E&OE

DISTRIBUTOR: Dome Lighting Systems 02/9659 3571, sales@dslighting.com.au

May 2018

