

SV1.0 [SR] SEMI RECESSED: Recessed luminaire constructed from heavy gauge extruded aluminium and Survivor Lighting's unique IP66, IK10, fully encapsulated, reeded polycarbonate, diffuser module. Available as easy to install continuous Plug 'n' Play systems or individual units, all of which are anti tamper and suitable for vandal prone and arduous areas.

APPLICATIONS: Interior or Exterior - Correctional Facilities, High Security Areas, Railway Platforms, Police Stations, Bus Stations, Under Canopy Lighting, Tunnel Lighting, Hospitals, Airports.

MOUNTING: Recessed - Gyprock Clip or Suspended.

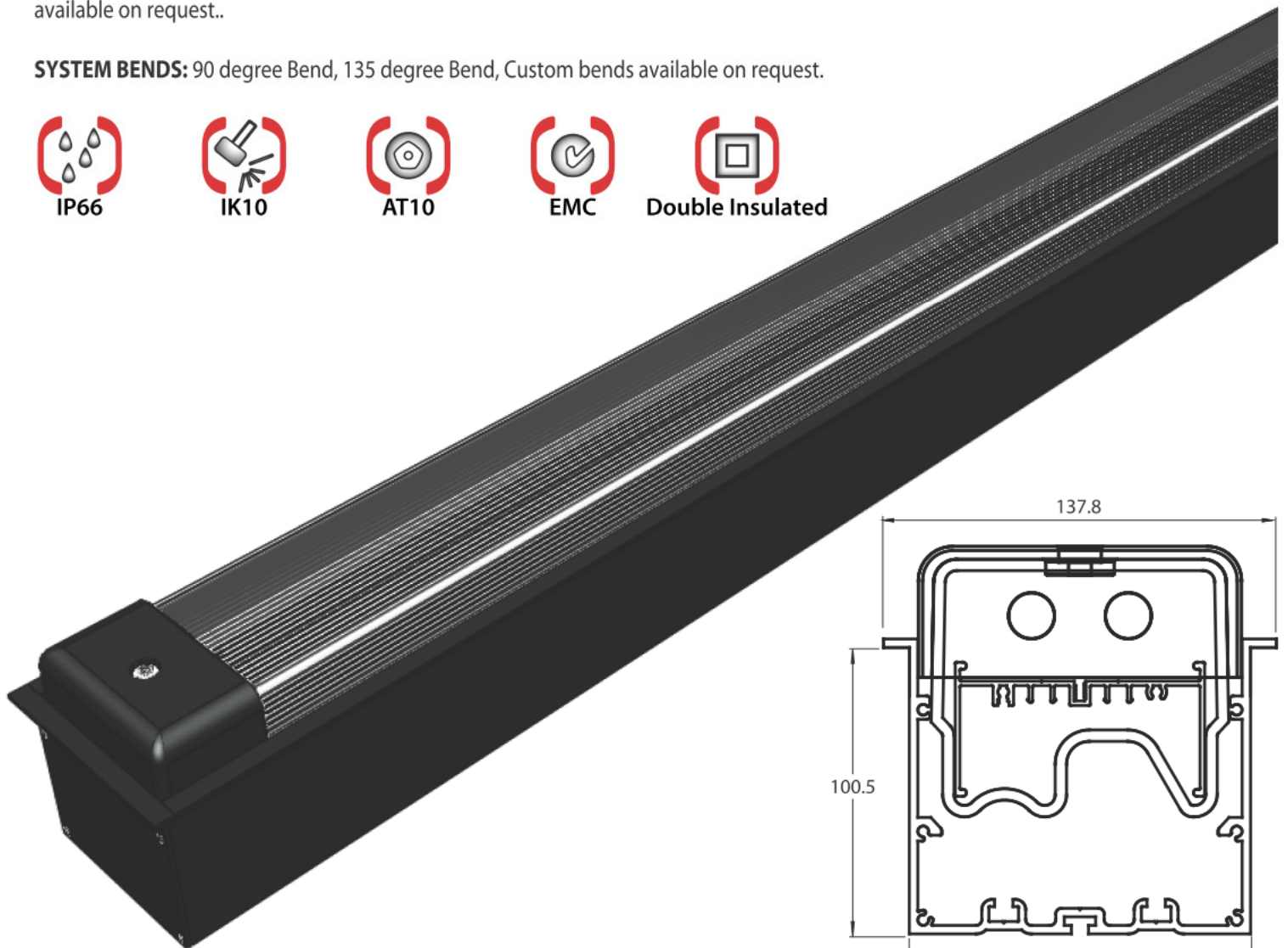
LAMPS: T5 & T8 - Single or Twin, Tridonic LED strips, other configurations on request.

COLOURS: Powder coat - Black or White as standard, other finishes on request.

END CAPS: Black GRP or Clear Polycarbonate as standard, other options on request.

OPTIONS: Dimmable ECG, Emergency pack (T5), IP66 Plug and Socket, Double Insulated, Proximity Sensor, Photo Cell, Night Light, Speaker Module, Single Point Emergency Module, Camera Module, Smoke Detector Module, Opal Diffuser Module, other options available on request..

SYSTEM BENDS: 90 degree Bend, 135 degree Bend, Custom bends available on request.



ENVIRONMENTALLY FRIENDLY - RECYCLABLE

DOME LIGHTING SYSTEMS



sales@dslighting.com.au

www.dslighting.com.au

02 9659 3571