

SV1.0 [S] SURFACE: Surface mounted luminaire constructed from heavy guage extruded aluminium and Survivor Lighting's unique IP66, IK10, fully encapsulated, reeded polycarbonate, diffuser module. Available as easy to install continuous Plug 'n' Play systems or individual units, all of which are anti tamper and suitable for vandal prone and arduous areas.

TYPICAL APPLICATIONS: Interior or Exterior - Correctional Facilities, High Security Areas, Railway Platforms, Police Stations, Bus Stations, Under Canopy Lighting, Tunnel Lighting, Hospitals, Airports.

MOUNTING OPTIONS: Surface Mount or Rod Suspensions.

LAMP CONFIGURATIONS: Single, Twin, Tandem T5 FH & T8 (830 or 840), Tridonic or Philips LED strips, other lamps on request.

COLOURS: Black or White as standard, other powder coat colours and anodised finishes on request.

END CAPS: Black GRP or Clear Polycarbonate as standard, other options available on request.

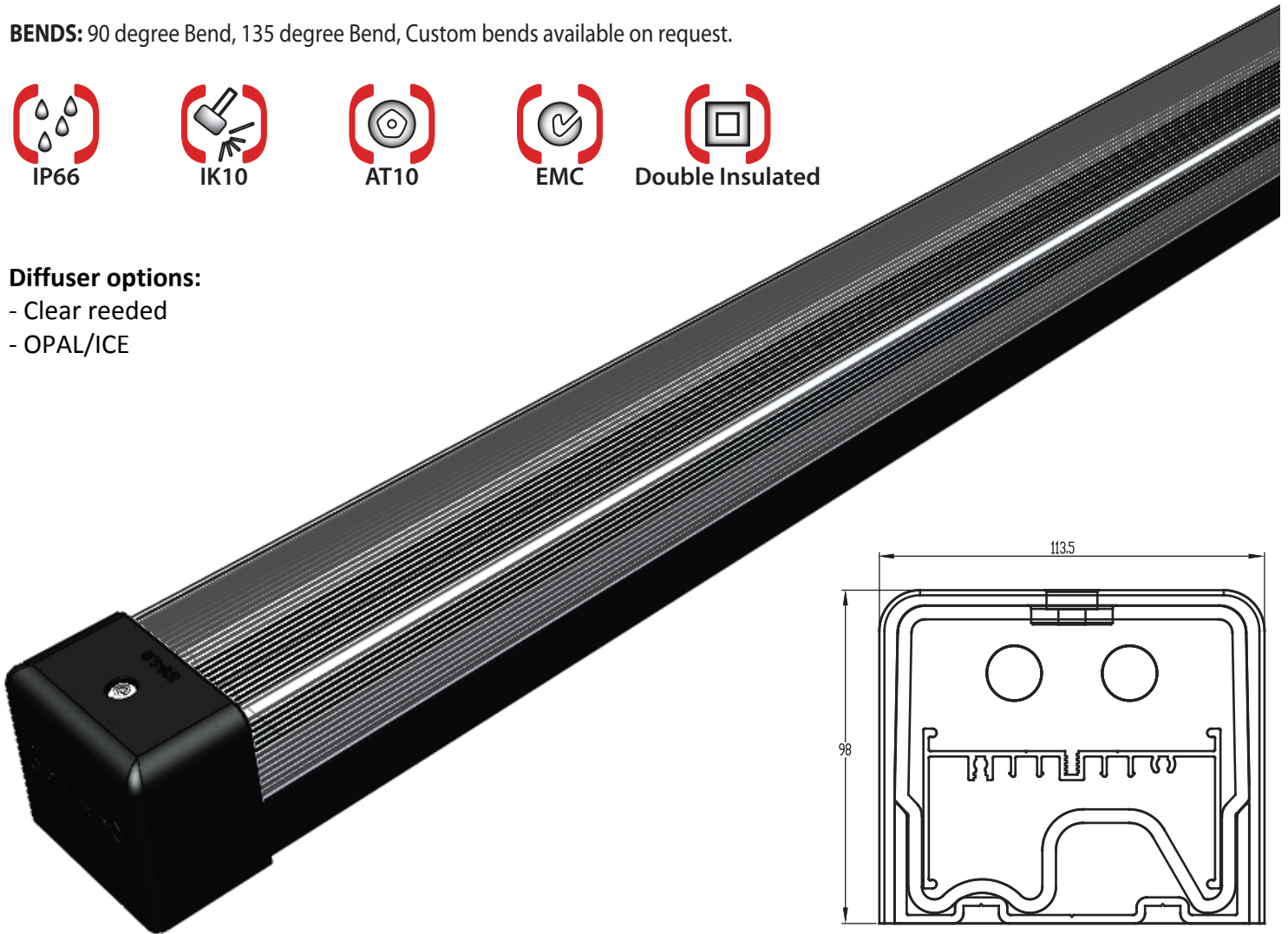
OPTIONS: Dimmable ECG, Emergency pack (T5), IP66 Plug and Socket, Double Insulated, Proximity Sensor, Photo Cell, Night Light, Speaker Modules, Single Point Emergency Modules, Camera Modules, Smoke Detector Modules, Opal Diffuser Module, other options available on request.

BENDS: 90 degree Bend, 135 degree Bend, Custom bends available on request.



Diffuser options:

- Clear reeded
- OPAL/ICE



ENVIRONMENTALLY FRIENDLY - RECYCLABLE

Survivor Lighting reserves the right to change data and specifications without notice. Data for guidance only



Distributed by:

DOME LIGHTING SYSTEMS
 sales@dslighting.com.au
 www.dslighting.com.au
 02 9659 3571